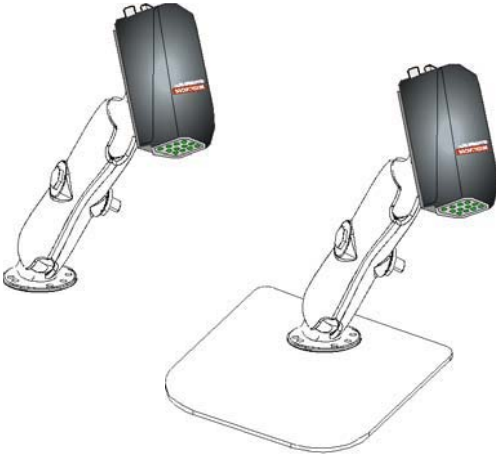


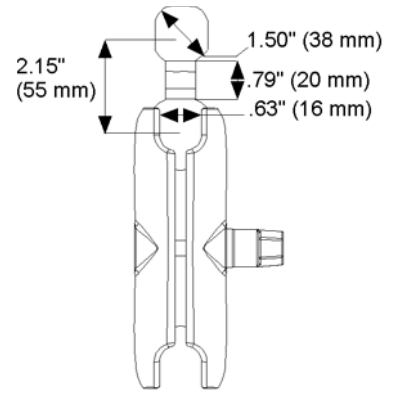
► Mounting Arm Kits

Mounting arm

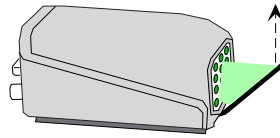
Mounting arm kit with base



► Extension Joint

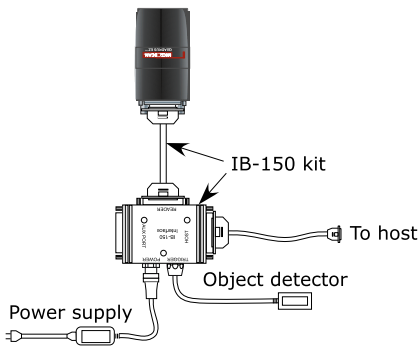


► Right Angle Mirror

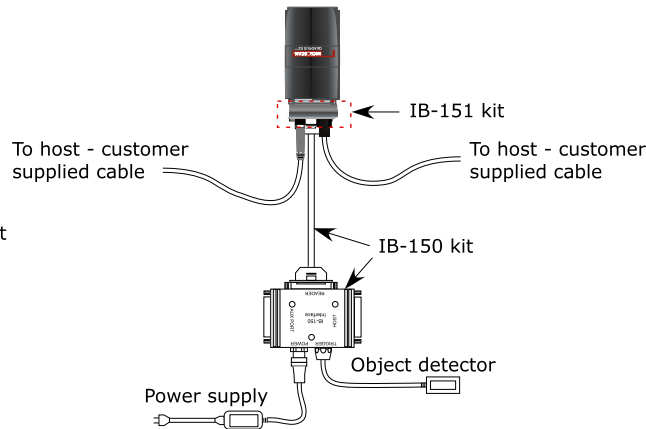


Note: decreases focal distance from reader by 2" (50 mm).

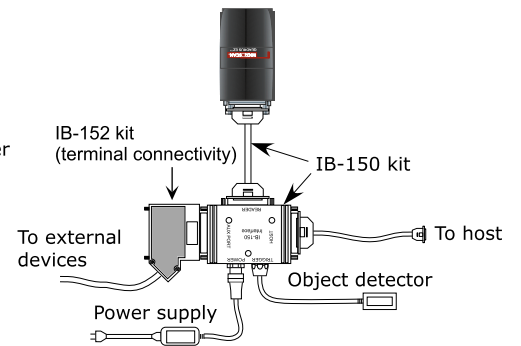
► IB-150 Interface Box



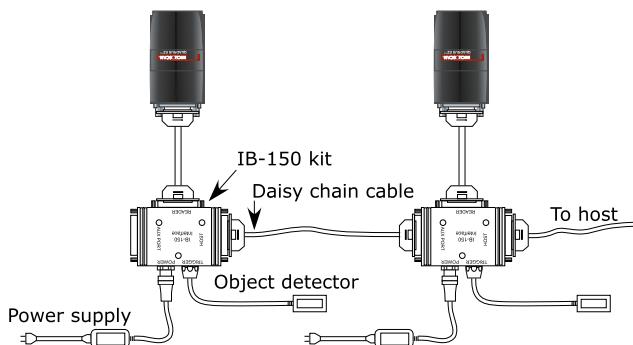
► IB-151 Interface, USB, Ethernet



► IB-152 Terminal Box

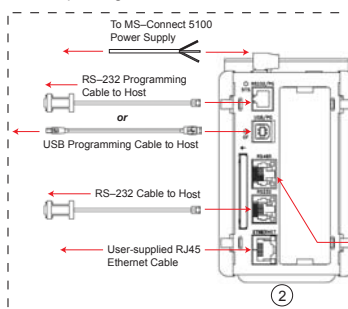


► Daisy Chain

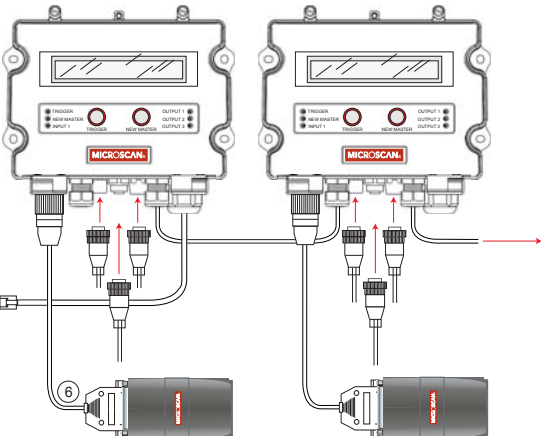


► Multidrop

Note: The MS-Connect 5100 Power Supply is only required in Multidrop configuration.



Multiple MS-Connect 210s can be used to connect multiple readers in a Daisy Chain configuration. (One MS-Connect 210 per reader.)



QUADRUS® EZ ACCESSORIES

MOUNTING/ACCESSORY OPTIONS

Accessory	Microscan Part Number	Description
Mounting Arm Kit	98-000020-01 (6", 152.4 mm)	A highly adjustable mounting arm utilizing ball and socket connections. This allows the arm to be positioned in almost any direction.
Extension Joint Kit	98-000037-01 (6", 152.4 mm)	Allows the mounting arm to be extended. Kits include extension joint and mounting arm.
Base Plate Kit	98-000054-01	Measures 6" by 6" (152.4 mm by 152.4 mm). Mounting screws are included with the arm.
Right Angle Mirror Kit	98-000036-01	Right angle mirror kit used for changing viewing direction 90°.
Lens and Lighting Kit, Micro Density	98-000100-01	For use with Quadrus EZ FLEX: coaxial lighting, 50 mm lens, 40 mm spacer
Lens and Lighting Kit, General Purpose	98-000100-02	For use with Quadrus EZ FLEX: ring light, 35 mm lens, 10 mm spacer

CONFIGURATION OPTIONS

Communications Cable	61-000034-02	Female 25-pin D-sub connector to female 9-pin D-sub connector, 6' (1820 mm), RS-232 serial connection cable.
IB-150 Kit	98-000040-02	Interface box and cable used to breakout power, trigger, and I/O.
IB-151 Kit	99-000009-02	Interface box for use with Ethernet.
IB-152 Kit	98-000039-02	Interface box for terminal wiring, plugs directly into IB-150.
Video Monitor Kit	98-000096-01	Use remote video display to monitor the imager during testing or production.
Video Output Cable	61-000033-02	Cable for video output.
Daisy Chain Cable	61-100029-03	Allows readers to be connected in a daisy chain configuration. Requires 1 cable per reader, 1 foot (304.8 mm) length.
DeviceNet Protocol box DeviceNet cable	20-500013-01 61-330006-01	DeviceNet Protocol box and reader cable.
Keyboard Wedge	FIS-0001-0030G	Keyboard wedge/interface box.
MS-Connect 210	FIS-0210-0001 (display) FIS-0210-0002 (w/o display) FIS-0210-0003 (display, Ethernet/IP)	Connectivity box designed to simplify connectivity to Microscan readers in industrial applications.
MS-Connect 5100	FIS-5100-0001G	Concentrator and protocol converter solution.
Power Supply	97-100004-15	Power supply, 90-264 VAC, 24 VDC.
Object Detector	99-000017-01	Sensing distance is 1 to 4" (25 to 102 mm) visible light, and terminated in a microchange connector.

SOFTWARE/DOCUMENTATION

ESP® Software, User Manuals	37-000001-01	ESP® software and user manuals (1 copy free per order).
EZ Trax Software	37-000003-01	Allows the automatic storage of specific images captured by the reader to a specified location.
Support Agreements	COV-6700-NX	Extended support agreement.
Configuration Sheet	83-210017-02	Documents configuration options for the Quadrus EZ.

©2008 Microscan Systems Inc. Rev. C 07/08